



OWNER'S MANUAL

SCT Top-Runner Motorized End Trucks

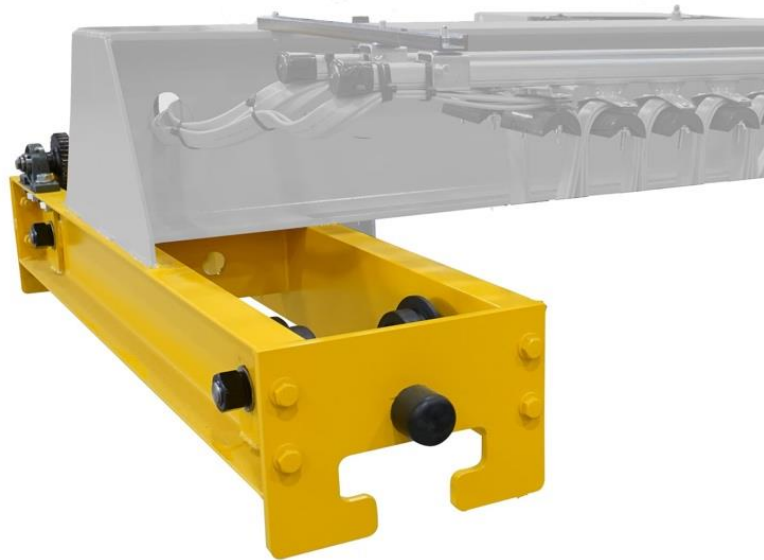


Table of Contents

1.0 Product Introduction 3

2.0 Drawings & Parts Lists 4

 2.1 SCT End Truck Drawings 4

 2.2 SCT Parts List 5

3.0 SCT Wiring Diagram 6

4.0 Maintenance of Your End Trucks 7

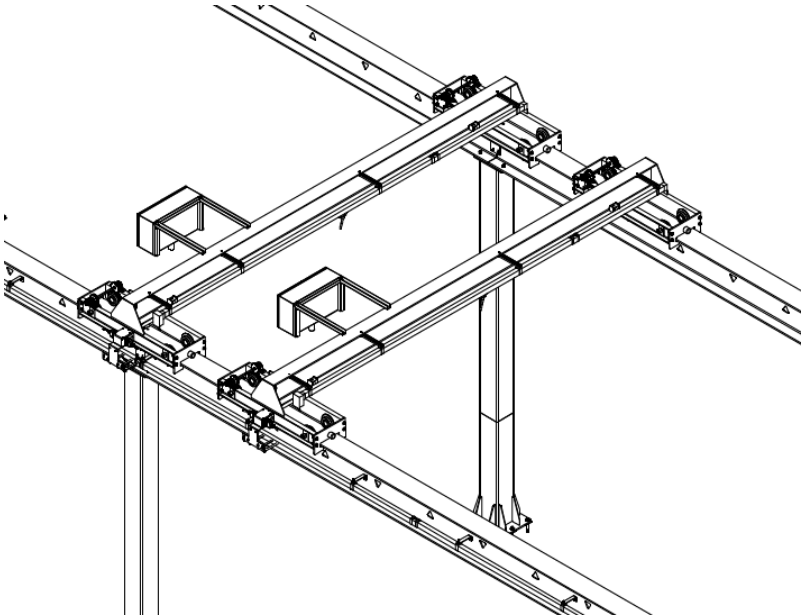
Starke Products Warranty 8

1.0 Product Introduction

Thank you for purchasing a Starke SCT Top Runner Motorized End Truck Kit. These HD bridge crane end trucks require very little maintenance and can accommodate most lengths of bridge cranes. Please make sure that the power supply you intend to hook up to the End Truck Motors matches the voltage the motors require.



1.1 SCT Motor

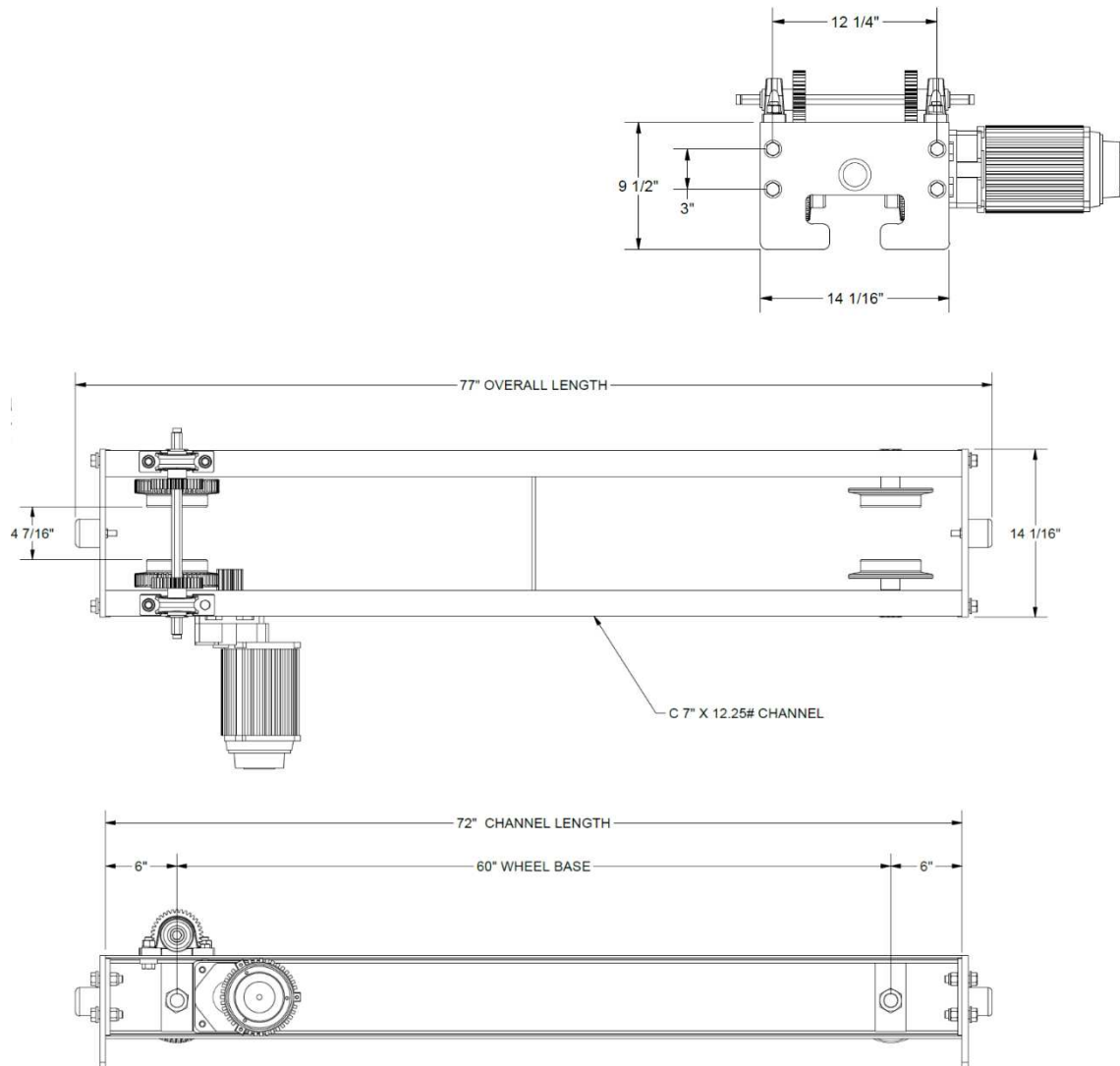


1.2 SCT Crane Isometric Drawing

2.0 Drawings & Parts Lists

2.1 SCT End Truck Drawings

▲IMPORTANT NOTE: These are basic drawings. Yours may be different.



2.2 SCT-110-100 Parts List

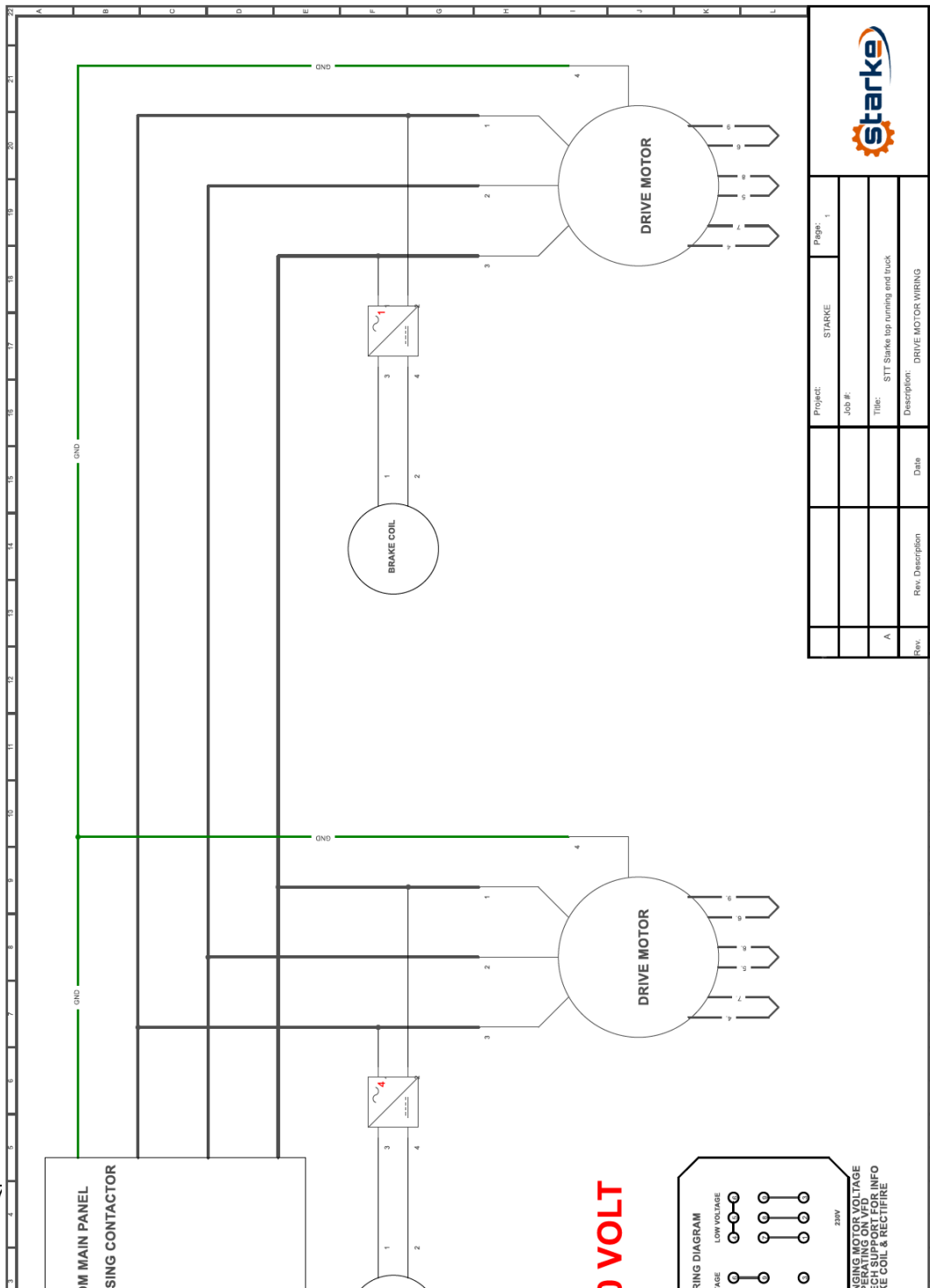
Part Description	Part Number
Gear Wheel with Bearing	600-46016 53 tooth
Plain Wheel with Bearing	600-46017
Rubber Bumper	600-50037
End Truck Motor w/ Gear	600-46065 (SGM050) M3*22T 1/2hp
Gear, Motor Shaft	600-46080
Cross Shaft	cut to length 5/8" Hex
Bearing Housing w/ Bearing & Sproket	600-46043
Small Drive Gear	600-46043 30 tooth

2.2 SCT-130-100 Parts List

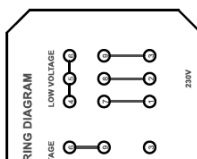
Part Description	Part Number
Gear Wheel with Bearing	600-46016
Plain Wheel with Bearing	600-46017
Rubber Bumper	600-50037
End Truck Motor w/ Gear	600-46066 (SGM100) M3*17T 1hp
Gear, Motor Shaft	600-46081
Cross Shaft	cut to length 5/8" Hex
Bearing Housing w/ Bearing	600-46044
Small Drive Gear	600-46044 35 tooth

3.0 SCT Wiring Diagram

V2.1 07



Project:	STARKE	Page:	1
Job #:			
Title:	STT Starke top running end truck		
Description:	DRIVE MOTOR WIRING		



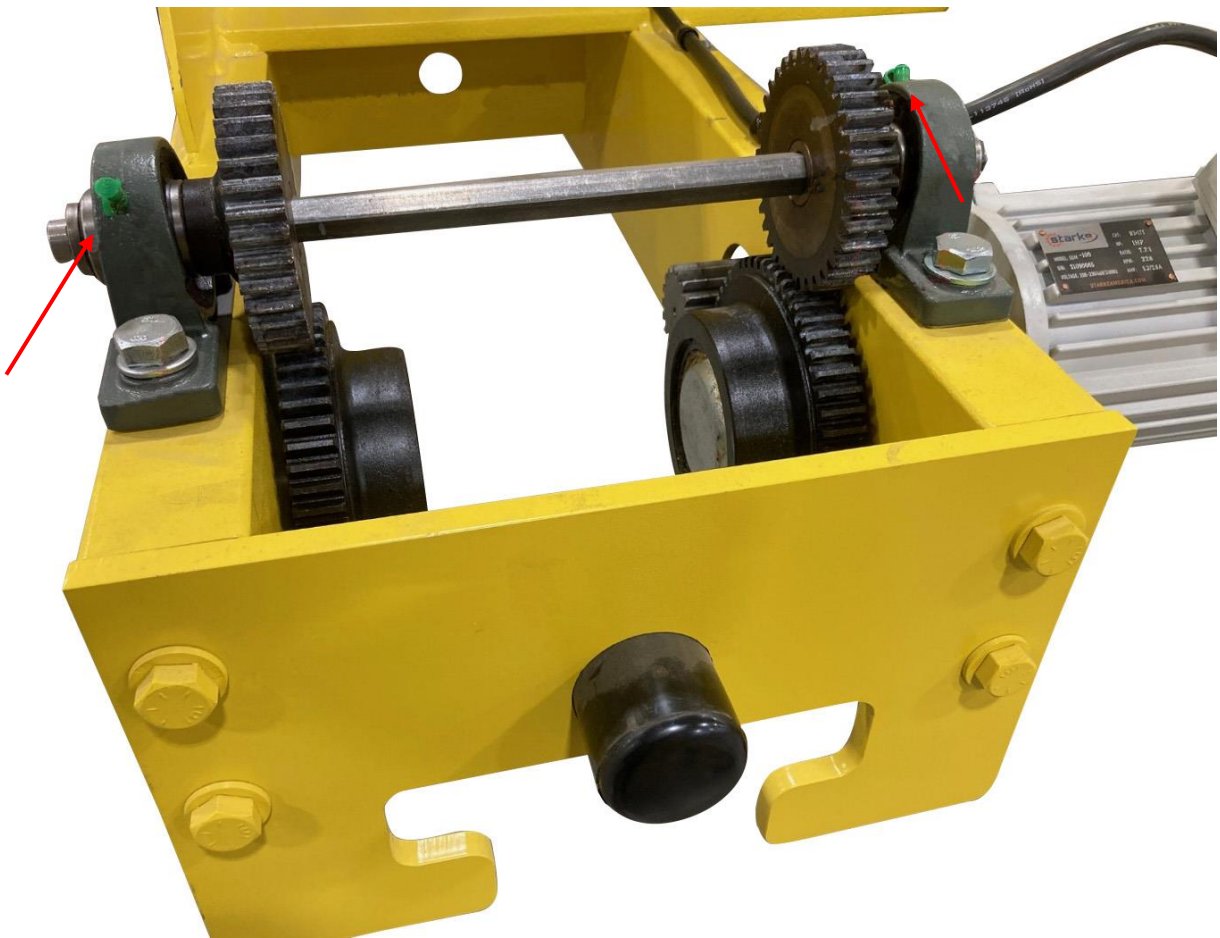
DRIVE MOTOR VOLTAGE
 OPERATING ON VFD
 MOTOR WIRING INFO
 SEE COIL & RECTIFIER

CA.COM

4.0 Maintenance of Your End Trucks

Grease all fittings as shown every 400 hours of use or yearly. Whichever comes first.

Choose a good quality roller bearing grease.



4.1 Grease Points



Starke Products Warranty

1 Year (12 Month) Parts & Labor Warranty

Unless otherwise specified, Starke guarantees that our products are free from material defects in design and workmanship under normal use, proper maintenance, and service.

This warranty is strictly limited to 12 months for single shift operation or 2,000 hours after installation, or 14 months after shipment, whichever is shorter. Within ten days after defect is found, warrantee must deliver a written notice to Starke providing defect information. All requested warranty information must be received promptly by Starke in no more than 5 business days.

Customer is responsible for all shipping charges on returned/warrantable items. Starke will cover the repair (parts and labor) at no charge or provide a replacement item at Starke's discretion.

This warranty does not cover defects or damage caused by acts of God, unusual wear and tear, improper use, or improper maintenance by the user. No responsibility for consequential damage is expressed or implied, and the responsibility under this warranty/guaranty is limited to the repair or replacement of the defective materials. Repair or replacement of the item is fully at the discretion of Starke.

ALL OTHER REPRESENTATIONS, EXPRESS OR IMPLIED, WARRANTY, OR LIABILITY RELATING TO THE CONDITION OR USE OF THE PRODUCT ARE SPECIFICALLY DISAVOWED, AND IN NO EVENT SHALL STARKE BE LIABLE TO BUYER, OR ANY THIRD PARTY, FOR ANY DIRECT OR INDIRECT CONSEQUENTIAL OR INCIDENTAL DAMAGES

STARKE

Starkeamerica.com/contact-us/



Contact Your Starke Representative for More Information on Products to Help Maximize Your Workplace Efficiency



Hoists & Trolleys



Crane Components



Electrification



Crane Kits



Slings



Safety

